

balterley

2 Outlet Concealed Valves Shower Bundle with Slide Rail Kit, Wall Mount Arm & Head - Chrome

PRODUCT REFERENCE

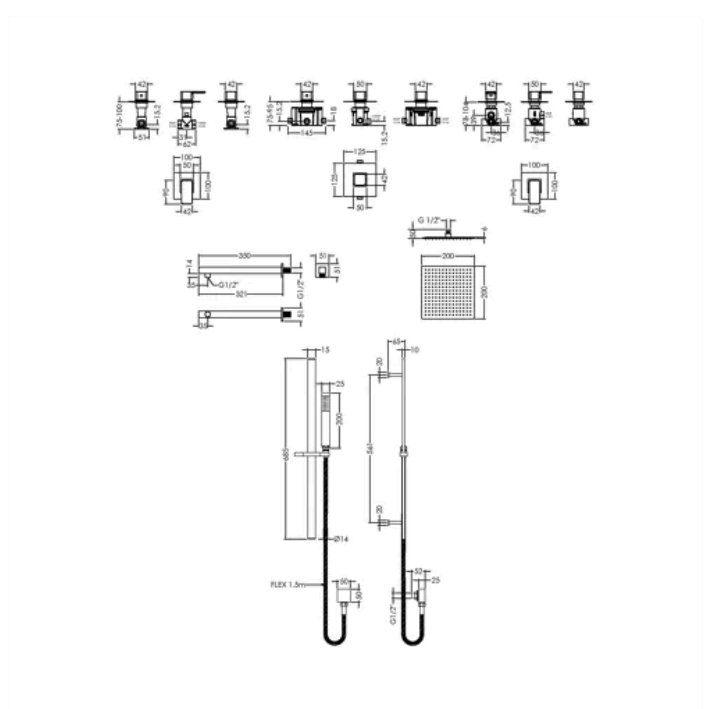
SKU	BSB129ST2
EAN	5056460000000
Brand	Balterley

PRODUCT DIMENSIONS

Nett Weight	0 kg
Packaged Weight	0 kg

PRODUCT DETAILS

Country of Origin	China
Product Material	Brass Abs
Control Type	Manual
WRAS Approved	Yes
Valve/Cartridge Type	1/4 Turn
Colour/Finish	Chrome
Style	Contemporary
TMV2 Approved	Yes
Min Operating Pressure	0.1 Bar
Minimum Operation Pressure	0 Bar
No. Of Body Jets	0.0000
No. Outlets	2.0000
Tmv2 Approval Number	2603035
Valve / Cartridge Type	1/4 Turn
Wras Approval No	250602040



Chrome Fixed Shower Head

PRODUCT DIMENSIONS

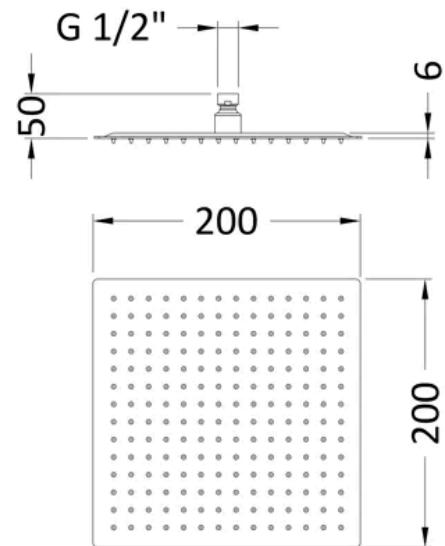
Product	60 x 200 x 200mm (H x W x D)
Packaged	210 x 100 x 210mm (H x W x D)
Outer Box	155 x 435 x 440mm (H x W x D)
Nett Weight	0.7 kg
Packaged Weight	0.7 kg

PACKAGING DETAILS

Label Size (mm)	50 x 100
Label Colour	White
Label Qty	2.0000

PRODUCT DETAILS

Country of Origin	China
Product Material	Stainless Steel
Control Type	Not Applicable
WRAS Approved	No
Colour/Finish	Chrome
Mount Type	Surface/Wall
Style	Contemporary
Easy Clean	Yes
TMV2 Approved	No
TMV3 Approved	No
Handset Included	No
Head Included	Yes
Min Operating Pressure	0.5 Bar
Minimum Operation Pressure	1 Bar
No. Outlets	1.0000
Outlet Elbow Supplied	No



balterley

Chrome Shower Slide Rail Kit

PRODUCT DIMENSIONS

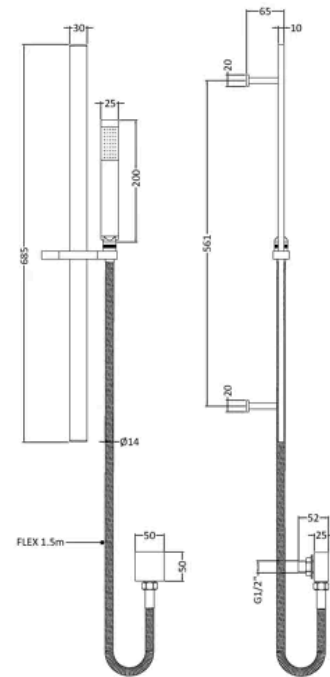
Product	685 x 129 x 65mm (H x W x D)
Packaged	83 x 140 x 700mm (H x W x D)
Outer Box	440 x 300 x 715mm (H x W x D)
Nett Weight	1.5 kg
Packaged Weight	1.51 kg

PACKAGING DETAILS

Label Size (mm)	50 x 100
Label Colour	White
Label Qty	2.0000

PRODUCT DETAILS

Country of Origin	China
Product Material	Brass Abs
Control Type	Not Applicable
WRAS Approved	No
Colour/Finish	Chrome
Mount Type	Surface/Wall
Style	Contemporary
Easy Clean	No
TMV2 Approved	No
TMV3 Approved	No
Handset Included	Yes
Head Included	No
Hose Included	Yes
Hose Length	1500 mm
Min Operating Pressure	0.1 Bar
Minimum Operation Pressure	0 Bar
No. Outlets	1.0000
Outlet Elbow Supplied	Yes



Square Chrome Wall-Mounted Shower Arm

PRODUCT DIMENSIONS

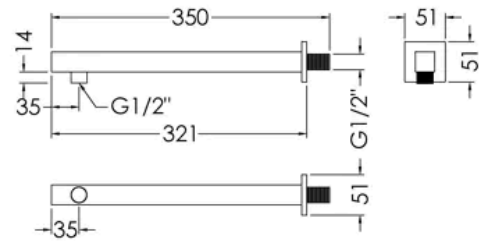
Product	51 x 51 x 350mm (H x W x D)
Packaged	60 x 70 x 400mm (H x W x D)
Outer Box	290 x 410 x 507mm (H x W x D)
Nett Weight	0.5 kg
Packaged Weight	0.6 kg

PACKAGING DETAILS

Label Size (mm)	50 x 100
Label Colour	White
Label Qty	2.0000

PRODUCT DETAILS

Country of Origin	China
Product Material	Brass
Colour/Finish	Chrome
Style	Contemporary



balterley

Windon Chrome Concealed Shower Valve

PRODUCT DIMENSIONS

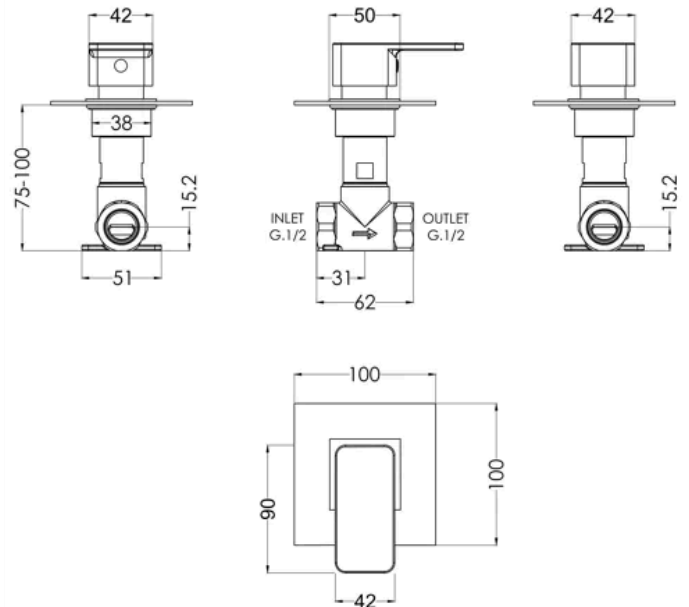
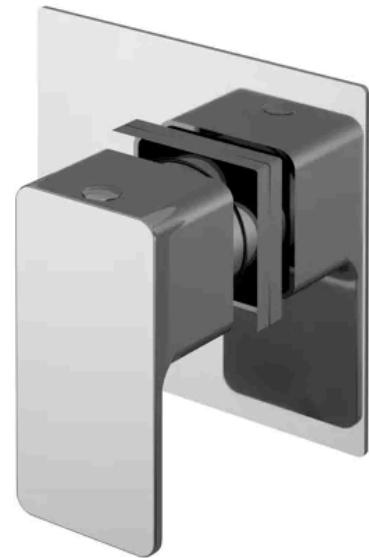
Product	100 x 100 x 135mm (H x W x D)
Packaged	100 x 157 x 175mm (H x W x D)
Outer Box	560 x 330 x 195mm (H x W x D)
Nett Weight	0.77 kg
Packaged Weight	0.77 kg

PACKAGING DETAILS

Label Size (mm)	50 x 100
Label Colour	White
Label Qty	1.0000

PRODUCT DETAILS

Country of Origin	China
Product Material	Brass
Control Type	Manual
WRAS Approved	No
Valve/Cartridge Type	1/4 Turn
Colour/Finish	Chrome
Mount Type	Recessed/Wall
Style	Contemporary
Handle Type	Lever/Square
TMV2 Approved	No
TMV3 Approved	No
Handset Included	No
Head Included	No
Min Operating Pressure	0.2 Bar
Minimum Operation Pressure	0 Bar
No. Outlets	1.0000
Outlet Elbow Supplied	No
Valve / Cartridge Type	1/4 Turn



Windon Chrome Thermostatic Temperature Control Shower Valve

PRODUCT DIMENSIONS

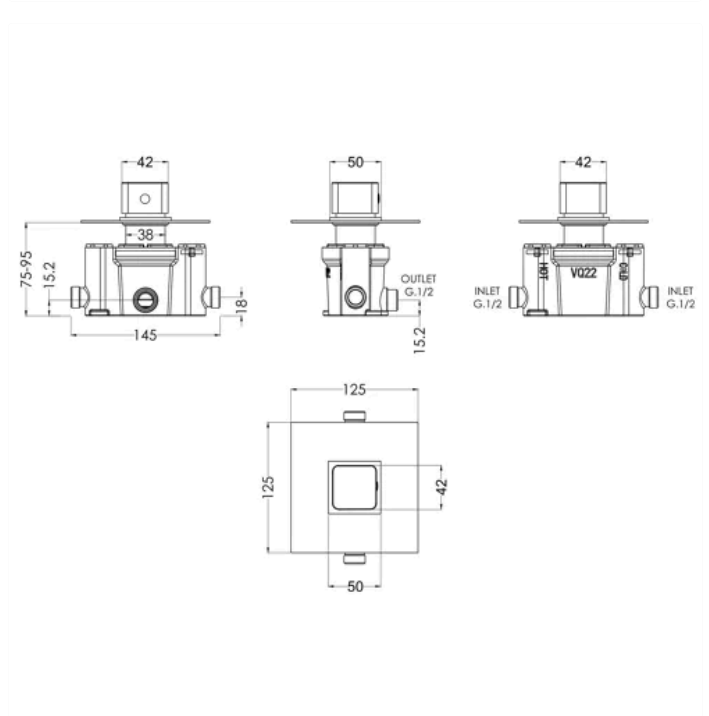
Product	125 x 125 x 135mm (H x W x D)
Packaged	121 x 181 x 246mm (H x W x D)
Outer Box	750 x 380 x 260mm (H x W x D)
Nett Weight	1 kg
Packaged Weight	1 kg

PACKAGING DETAILS

Label Size (mm)	50 x 100
Label Colour	White
Label Qty	1.0000

PRODUCT DETAILS

Country of Origin	China
Product Material	Brass Abs
Control Type	Manual
WRAS Approved	No
Colour/Finish	Chrome
Mount Type	Recessed/Wall
Style	Contemporary
Handle Type	Square
TMV2 Approved	No
TMV3 Approved	No
Handset Included	No
Head Included	No
Min Operating Pressure	0.1 Bar
Minimum Operation Pressure	0 Bar
No. Outlets	1.0000
Outlet Elbow Supplied	No



Windon Chrome Concealed Triple Shower Valve With Diverter

PRODUCT DIMENSIONS

Product	100 x 100 x 135mm (H x W x D)
Packaged	124 x 175 x 189mm (H x W x D)
Outer Box	720 x 370 x 220mm (H x W x D)
Nett Weight	1.05 kg
Packaged Weight	1.05 kg

PACKAGING DETAILS

Label Size (mm)	50 x 100
Label Colour	White
Label Qty	1.0000

PRODUCT DETAILS

Country of Origin	China
Product Material	Brass
Control Type	Manual
WRAS Approved	No
Valve/Cartridge Type	1/4 Turn
Colour/Finish	Chrome
Mount Type	Recessed/Wall
Style	Contemporary
Handle Type	Lever/Square
TMV2 Approved	No
TMV3 Approved	No
Handset Included	No
Head Included	No
Min Operating Pressure	0.2 Bar
Minimum Operation Pressure	0 Bar
No. Outlets	4.0000
Outlet Elbow Supplied	No
Valve / Cartridge Type	1/4 Turn

