

balterley

Shower Bundle Concealed Round Push 1 Button Valve, Arm & Head Kit - Chrome Balterley

PRODUCT REFERENCE

SKU	BSBR11TW1
EAN	5056460000000
Brand	Balterley

PRODUCT DIMENSIONS

Product	215 x 80 x 135mm (H x W x D)
Packaged	550 x 550 x 550mm (H x W x D)
Nett Weight	0.1 kg
Packaged Weight	0.1 kg

PRODUCT DETAILS

Country of Origin	China
Product Material	Brass Abs
Colour/Finish	Chrome
Style	Contemporary
Min Operating Pressure	1 Bar
Minimum Operation Pressure	1 Bar



Technical Drawing Not Available

balterley

Chrome Fixed Shower Head

PRODUCT DIMENSIONS

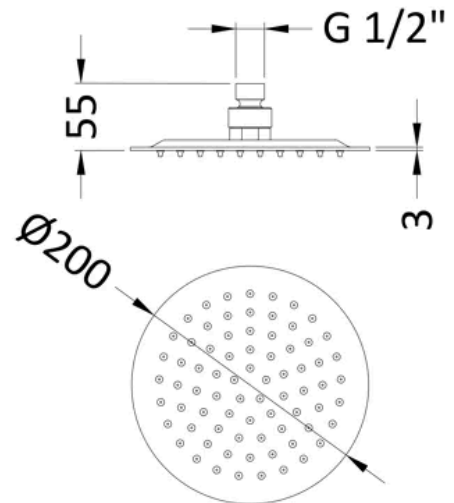
Product	56 x 200 x 200mm (H x W x D)
Packaged	210 x 100 x 210mm (H x W x D)
Outer Box	430 x 500 x 230mm (H x W x D)
Nett Weight	0.92 kg
Packaged Weight	0.92 kg

PACKAGING DETAILS

Label Size (mm)	50 x 100
Label Colour	White
Label Qty	2.0000

PRODUCT DETAILS

Country of Origin	China
Product Material	Stainless Steel
Control Type	Not Applicable
WRAS Approved	No
Colour/Finish	Chrome
Mount Type	Surface/Wall
Style	Contemporary
TMV2 Approved	No
TMV3 Approved	No
Handset Included	No
Head Included	Yes
Min Operating Pressure	0.5 Bar
Minimum Operation Pressure	1 Bar
No. Outlets	1.0000
Outlet Elbow Supplied	No



balterley

Chrome Wall-Mounted Shower Arm

PRODUCT DIMENSIONS

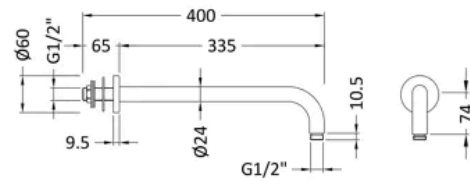
Product	104 x 62 x 395mm (H x W x D)
Packaged	420 x 38 x 102mm (H x W x D)
Outer Box	385 x 220 x 430mm (H x W x D)
Nett Weight	0.32 kg
Packaged Weight	0.5 kg

PACKAGING DETAILS

Label Size (mm)	50 x 100
Label Colour	White
Label Qty	2.0000

PRODUCT DETAILS

Country of Origin	China
Product Material	Brass
Colour/Finish	Chrome
Style	Contemporary



Chrome Round Push Button Shower Valve

PRODUCT DIMENSIONS

Product	215 x 80 x 135mm (H x W x D)
Packaged	124 x 242 x 275mm (H x W x D)
Outer Box	124 x 242 x 275mm (H x W x D)
Nett Weight	2.2 kg
Packaged Weight	2.3 kg

PACKAGING DETAILS

Label Size (mm)	50 x 100
Label Colour	White
Label Qty	1.0000

PRODUCT DETAILS

Country of Origin	United Kingdom
Product Material	Brass Abs
Control Type	Manual
WRAS Approved	No
Valve/Cartridge Type	Push Button
Colour/Finish	Chrome
Mount Type	Recessed/Wall
Style	Contemporary
Handle Type	Round
TMV2 Approved	No
TMV3 Approved	No
Handset Included	No
Head Included	No
Min Operating Pressure	1 Bar
Minimum Operation Pressure	1 Bar
No. Outlets	1.0000
Outlet Elbow Supplied	No
Valve / Cartridge Type	Push Button

