

balterley

Round Thermostatic Minimalist Bar Valve with Luxury Slide Rail Kit Shower Bundle - Chrome - Balterley

PRODUCT REFERENCE

SKU	BSBR64BV1
EAN	5056460000000
Brand	Balterley

PRODUCT DIMENSIONS

Product	680 x 215 x 315mm (H x W x D)
Packaged	550 x 550 x 550mm (H x W x D)
Nett Weight	0.1 kg
Packaged Weight	0.1 kg

PRODUCT DETAILS

Country of Origin	China
Product Material	Brass Abs
Control Type	Manual
Valve/Cartridge Type	1/4 Turn
Colour/Finish	Chrome
Style	Contemporary
Min Operating Pressure	0.2 Bar
Minimum Operation Pressure	0 Bar
No. Of Body Jets	0.0000
Valve / Cartridge Type	1/4 Turn



Technical Drawing Not Available

Chrome Shower Slide Rail Kit Slide

PRODUCT DIMENSIONS

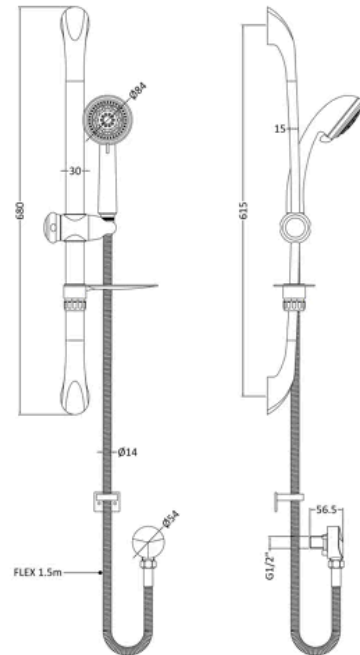
Product	680 x 215 x 315mm (H x W x D)
Packaged	90 x 153 x 660mm (H x W x D)
Outer Box	440 x 320 x 675mm (H x W x D)
Nett Weight	1.3 kg
Packaged Weight	1.3 kg

PACKAGING DETAILS

Label Size (mm)	50 x 100
Label Colour	White
Label Qty	2.0000

PRODUCT DETAILS

Country of Origin	China
Product Material	Brass Abs
Control Type	Not Applicable
WRAS Approved	No
Colour/Finish	Chrome
Mount Type	Surface/Wall
Style	Contemporary
Easy Clean	Yes
TMV2 Approved	No
TMV3 Approved	No
Handset Included	Yes
Head Included	No
Hose Included	Yes
Hose Length	1500 mm
Min Operating Pressure	0.5 Bar
Minimum Operation Pressure	1 Bar
No. Outlets	1.0000
Outlet Elbow Supplied	Yes



balterley

Chrome Minimalist Thermostatic Bar Shower Valve

PRODUCT DIMENSIONS

Product	39 x 268 x 71mm (H x W x D)
Packaged	80 x 280 x 80mm (H x W x D)
Outer Box	305 x 415 x 175mm (H x W x D)
Nett Weight	1.49 kg
Packaged Weight	1.49 kg

PACKAGING DETAILS

Label Size (mm)	50 x 100
Label Colour	White
Label Qty	2.0000

PRODUCT DETAILS

Country of Origin	China
Product Material	Brass Abs
Control Type	Manual
WRAS Approved	No
Valve/Cartridge Type	1/4 Turn
Colour/Finish	Chrome
Mount Type	Surface/Wall
Style	Contemporary
Handle Type	Round
TMV2 Approved	No
TMV3 Approved	No
Pipe Centres	150
Handset Included	No
Head Included	No
Hose Included	No
Min Operating Pressure	0.2 Bar
Minimum Operation Pressure	0 Bar
No. Outlets	1.0000
Outlet Elbow Supplied	No
Valve / Cartridge Type	1/4 Turn

