

balterley

## Concealed Square Push Button 1 Outlet Valve, Arm & Head Shower Bundle Set - Chrome - Balterley

### PRODUCT REFERENCE

SKU	BSBS32TW1
EAN	5056460000000
Brand	Balterley

### PRODUCT DIMENSIONS

Packaged	550 x 550 x 550mm (H x W x D)
Nett Weight	0.1 kg
Packaged Weight	0.1 kg

### PRODUCT DETAILS

Country of Origin	China
Colour/Finish	Chrome
Style	Contemporary



*Technical Drawing Not Available*

balterley

## Square Chrome Wall-Mounted Shower Arm

### PRODUCT DIMENSIONS

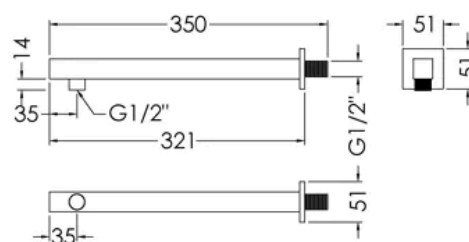
Product	51 x 51 x 350mm (H x W x D)
Packaged	60 x 70 x 400mm (H x W x D)
Outer Box	290 x 410 x 507mm (H x W x D)
Nett Weight	0.5 kg
Packaged Weight	0.6 kg

### PACKAGING DETAILS

Label Size (mm)	50 x 100
Label Colour	White
Label Qty	2.0000

### PRODUCT DETAILS

Country of Origin	China
Product Material	Brass
Colour/Finish	Chrome
Style	Contemporary



## Chrome Chrome Square Push Button Shower Valve

### PRODUCT DIMENSIONS

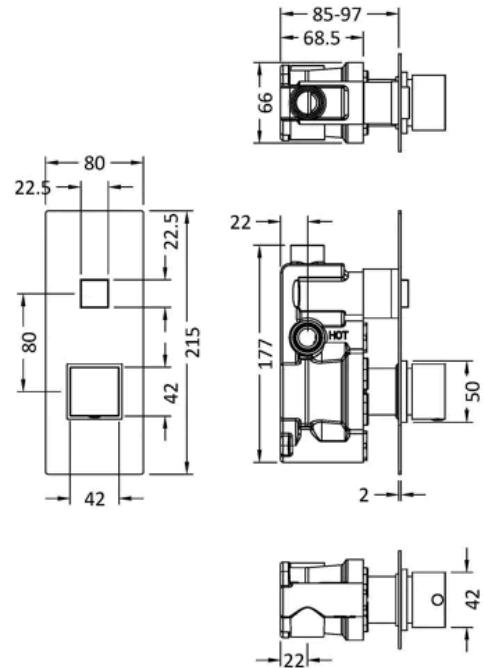
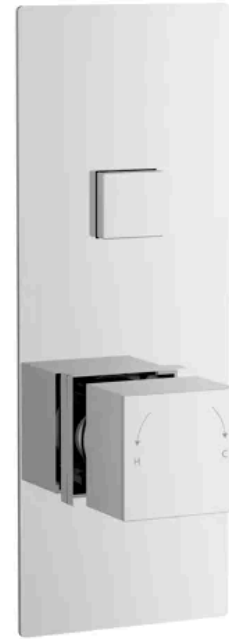
Product	215 x 80 x 135mm (H x W x D)
Packaged	124 x 292 x 275mm (H x W x D)
Outer Box	124 x 242 x 275mm (H x W x D)
Nett Weight	2.2 kg
Packaged Weight	2.3 kg

### PACKAGING DETAILS

Label Size (mm)	50 x 100
Label Colour	White
Label Qty	1.0000

### PRODUCT DETAILS

Country of Origin	United Kingdom
Product Material	Brass Abs
Control Type	Manual
WRAS Approved	No
Valve/Cartridge Type	Push Button
Colour/Finish	Chrome
Mount Type	Recessed/Wall
Style	Contemporary
Handle Type	Square
TMV2 Approved	No
TMV3 Approved	No
Handset Included	No
Head Included	No
Min Operating Pressure	1 Bar
Minimum Operation Pressure	1 Bar
No. Outlets	1.0000
Outlet Elbow Supplied	No
Valve / Cartridge Type	Push Button



balterley

## Chrome Fixed Shower Head

### PRODUCT DIMENSIONS

Product	60 x 200 x 200mm (H x W x D)
Packaged	50 x 210 x 210mm (H x W x D)
Outer Box	430 x 225 x 265mm (H x W x D)
Nett Weight	0.72 kg
Packaged Weight	0.72 kg

### PACKAGING DETAILS

Label Size (mm)	50 x 100
Label Colour	White
Label Qty	2.0000

### PRODUCT DETAILS

Country of Origin	China
Product Material	Brass Abs
Control Type	Not Applicable
WRAS Approved	No
Colour/Finish	Chrome
Mount Type	Surface/Wall
Style	Contemporary
Easy Clean	Yes
TMV2 Approved	No
TMV3 Approved	No
Handset Included	No
Head Included	Yes
Min Operating Pressure	0.2 Bar
Minimum Operation Pressure	0 Bar
Outlet Elbow Supplied	No

